

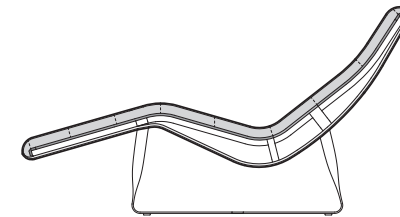
TECHNICAL DATA

ROLF BENZ 360

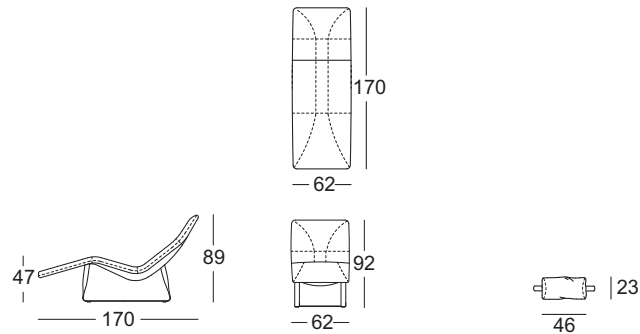


**ROLF
BENZ**

- Metal inner frame
 - Comfort membrane made of woven polyester fibres, stretched on a metal frame
 - Seat, backrest and leg rest in polyurethane foam covered in a comfort mat worked into ticking chambers
 - Back cover in deep-drawn plastic
 - Base frame in a choice of surface:
 - painted RAL 9017 traffic black
 - gloss chrome at extra cost
 - Matt chrome at extra cost
- ! Wave formation and depressions in the seat area are unavoidable, due to comfort and design reasons, even in high quality Rolf Benz upholstered furniture. All measurements are approximate.



Longchair



**ROLF
BENZ**