

TECHNICAL DATA

ROLF BENZ 562



**ROLF
BENZ**

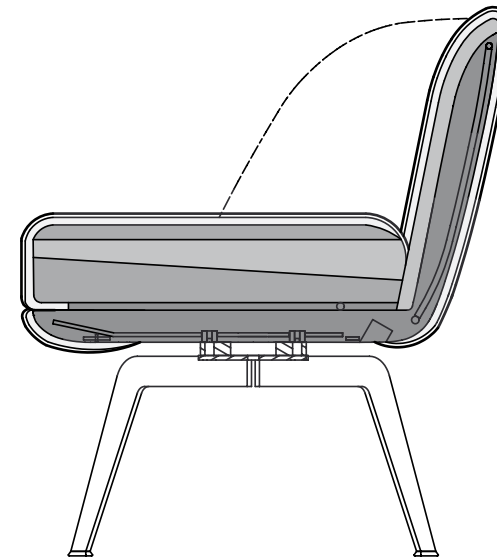
- Seat and back with foam-moulded metal inner frame
- Seat made from polyurethane foam, constructed in layers of different thicknesses and firmnesses, matched to one another, and covered with polyester fleece
- Back pad in polyurethane foam
- Body and back cover quilted underneath with non-woven polyester
- Four-leg wood version either with or without 360° swivel mechanism.

In the following surfaces:

- Oak H70
- Oak H 98
- American walnut H81
- Four-leg metal version either with or without 360° swivel mechanism.

In the following surfaces:

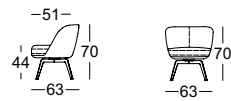
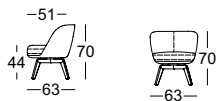
- Painted umbra grey RAL 7022
- Painted traffic black RAL 9017



! Wave formation and depressions in the seat area are unavoidable, due to comfort and design reasons, even in high quality Rolf Benz upholstered furniture. All measurements are approximate.

Club armchair
Four-leg wood

Club armchair
Four-leg metal



**ROLF
BENZ**