

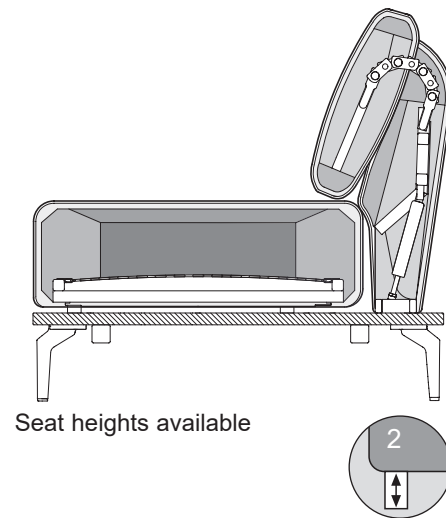
TECHNICAL DATA

ROLF BENZ 388 AURA



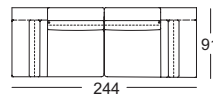
**ROLF
BENZ**

- Seat with metal inner frame and integrated rotary function
- Nosag spring support
- Seat made from polyurethane foam, constructed in layers of different thicknesses and firmnesses, matched to one another, and covered with polyester fleece
- Backrest with metal inner frame and integrated adjustment function
- Back in polyurethane foam, built up in coordinated layers, varying in height, and firmness
- Cover quilted underneath with non-woven polyester
- Cast foot metal, optionally
 - Aluminium, polished
 - Smooth aluminium, powder-coated, matt
 - RAL 9017 Traffic black
 - RAL 7022 Umbra grey
- Shelves MDF veneered, clear varnish optionally:
 - Oak
 - Oak, black pigmented
 - American walnut
 - Real stone veneer slate
 - Leather covered
- Seat height options 41 cm or 44 cm

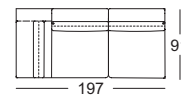


! High-quality, casual upholstery that forms waves/leaves indentations that are typical of the material. All measurements are approximate.

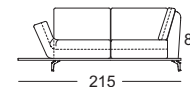
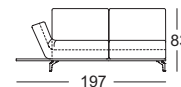
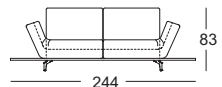
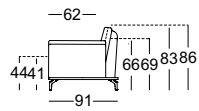
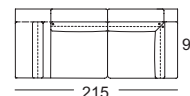
Sofa



Sectional sofa*



Corner modular sofa element*

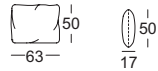


**ROLF
BENZ**

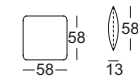
Low back cushion



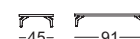
Back cushion



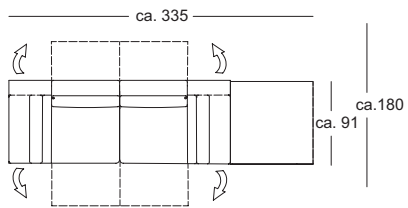
Back cushion mat



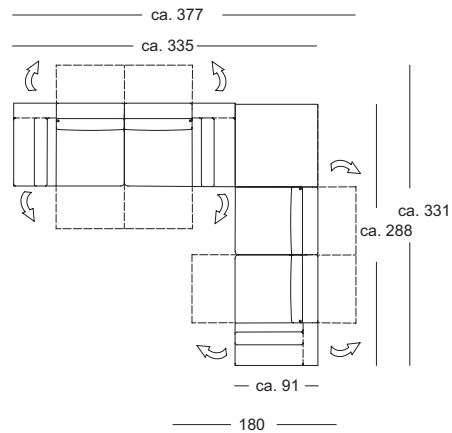
Shell



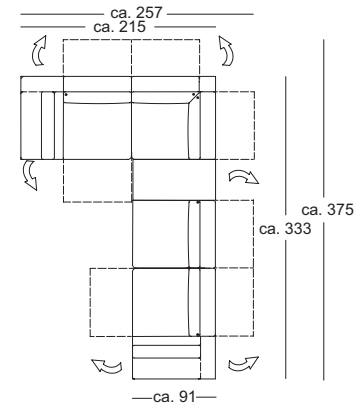
Combination examples



L-SOB_BS 388/244
ABL 388/91x91



L-SOB_BS 388/244
ABL 388/91x91
L-ASO-ES 388/197 ri.



L-E-ASO-ES 388/215 le.
ABL 388/45x91
L-ASO-ES 388/197 ri.

*These elements are only shown in the left version. They are also available in the right version.

**ROLF
BENZ**