

TECHNICAL DATA

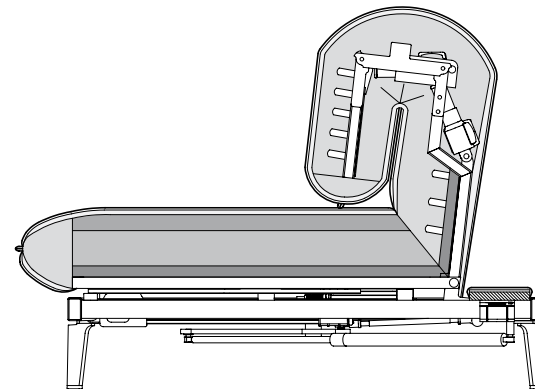
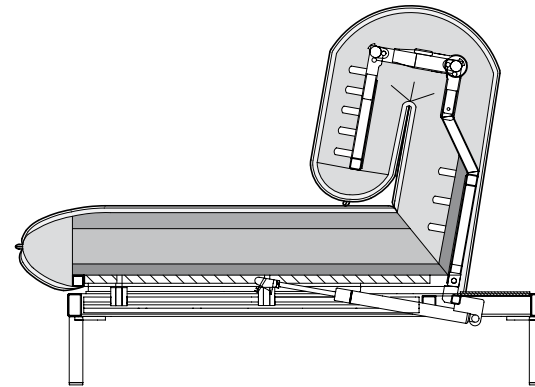
ROLF BENZ 340 NOVA



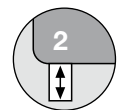
**ROLF
BENZ**

- Metal and wooden inner frame with integrated adjustment function.
- Seat and back from polyurethane foam in layers of varying density and hardness. Seat covered with a soft foam cover. The cover is quilted with nonwoven polyester laminated on both sides.
- Base frame in two variants and three surfaces:
 - Square tubing in
 - Textured paint silver
 - Painted RAL 9017 (traffic black)
 - Gloss-finish chrome
 - Painted RAL 7022 (umbra grey)
 - Diagonal leg in
 - Textured paint silver
 - Painted RAL 9017 (traffic black)
 - Gloss-finish chrome
 - Painted RAL 7022 (umbra grey)
- Seat height options 41 cm or 44 cm

- Version with electrical adjustment function: Stepless electric motor-powered adjustment



Seat heights available

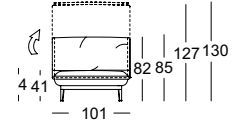
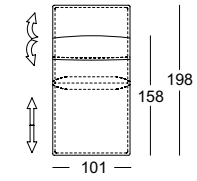
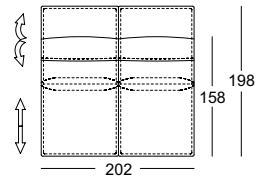
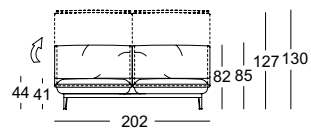
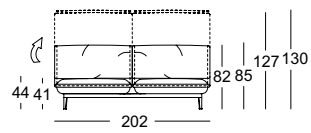
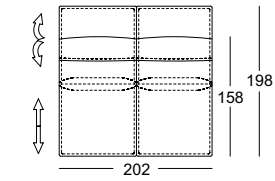
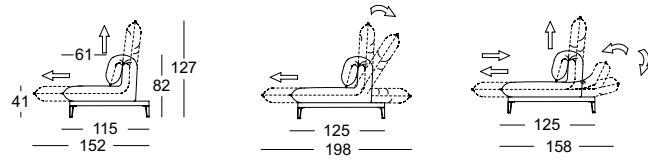


! Wave formation and depressions in the seat area are unavoidable, due to comfort and design reasons, even in high quality Rolf Benz upholstered furniture. All measurements are approximate.

**ROLF
BENZ**

Sofa with bed function

Longchair



Flanged back cushion

Support surface leather

