

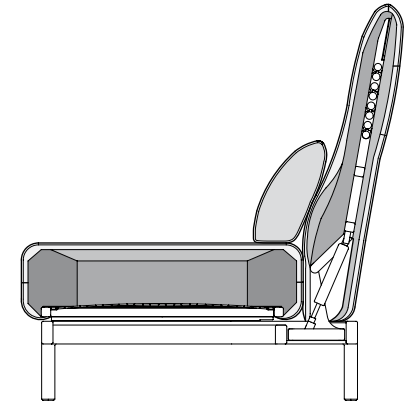
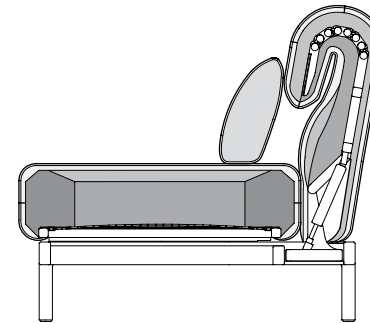
TECHNICAL DATA

ROLF BENZ PLURA

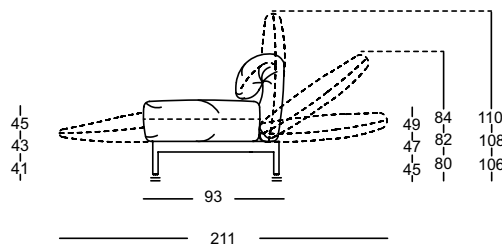


**ROLF
BENZ**

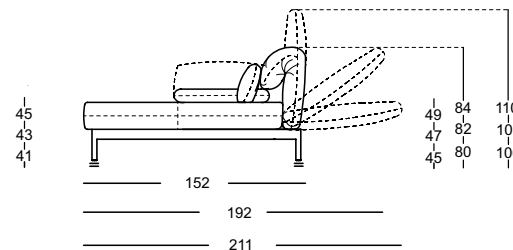
- Frame metal optionally:
 - Fine-grain steel, powdercoated, matt :
 - Silver
 - RAL 9017 Traffic black
 - RAL 7022 Umbra grey
 - Steel high-gloss chrome
- Seat heights optionally 41 or 43 or 45 cm
- Seat with metal inner frame and integrated rotary function
- Nosag spring support
- Seat made from polyurethane foam, constructed in layers of different thicknesses and firmnesses, matched to one another, and covered with polyester fleece
- Backrest with metal inner frame and integrated adjustment function
- Back in polyurethane foam built up in coordinated layers of varying height, and firmness and covered with non-woven polyester
- Downy-soft cushions with a filling of foam rods and polyester fibres
- ! Wave formation and depressions in the seat area are unavoidable, due to comfort and design reasons, even in high quality Rolf Benz upholstered furniture. All measurements are approximate.



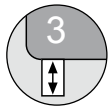
Sofa/Sectional sofa/Corner sectional sofa/
Longchair



Closing chair with
fixed footstool

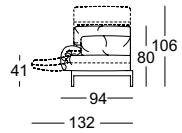


Seat heights available

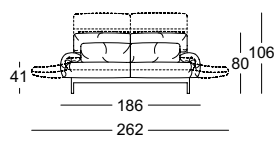


**ROLF
BENZ**

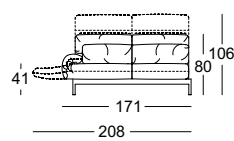
Longchair



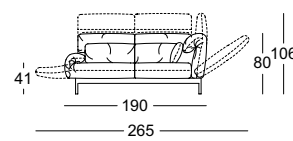
Sofa



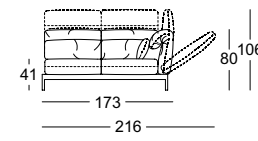
Sectional sofa



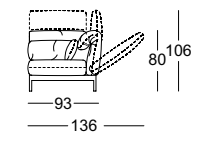
Corner modular sofa element



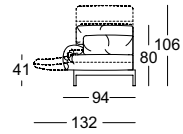
Corner sectional sofa



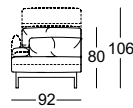
Corner unit



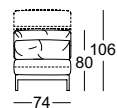
Closing chair with armrest



Closing chair with fixed footstool



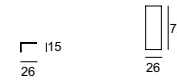
Sectional chair



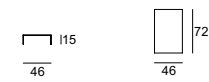
Ottoman



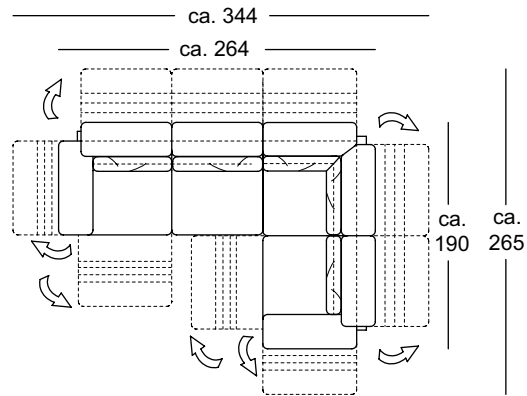
End storage



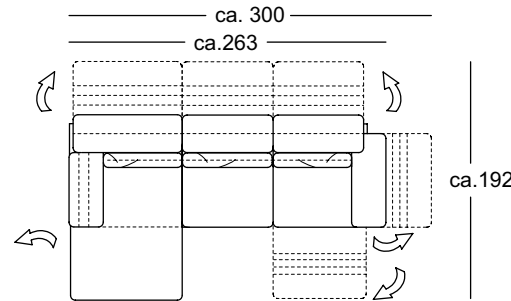
Storage



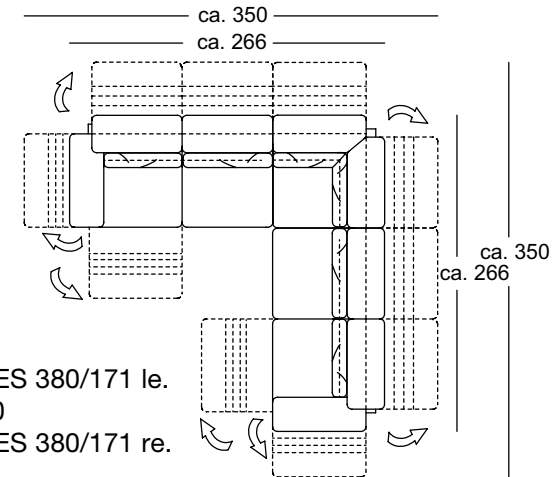
Combination examples:



L-ASO-ES 171 le.
L-E-ASO-ES 190 ri.



ASS-PSZ 92 le.
L-ASO-ES 171 ri.



L-ASO-ES 380/171 le.
EPT 380
L-ASO-ES 380/171 re.

**ROLF
BENZ**