

TECHNICAL DATA

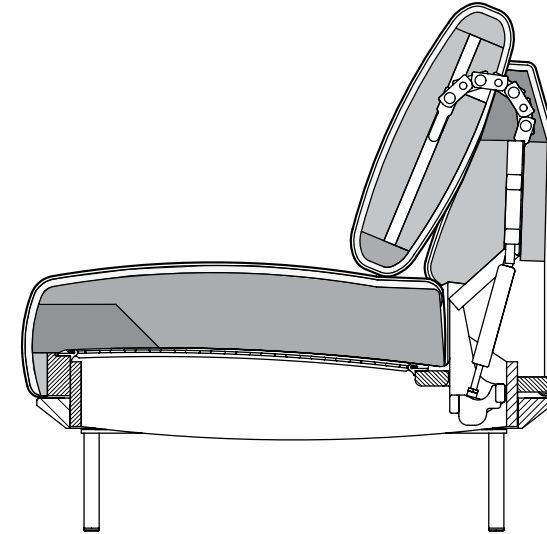
# ROLF BENZ YUNA

---

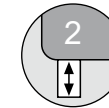


**ROLF  
BENZ**

- Nosag spring support
- Seat made from polyurethane foam, constructed in layers of different thicknesses and firmnesses, matched to one another, and covered with polyester fleece
- Backrest with metal inner frame and integrated adjustment function
- Back in polyurethane foam, built up in coordinated layers, varying in height, and firmness
- Cover quilted underneath with non-woven polyester
- Leg versions Optionally: Smooth steel, powder-coated, painted in matt:
  - RAL 9017 Traffic black Steel, fine structure, powder-coated, matt:
  - Marrone metallic
- Frame versions veneered wood, clear varnish, optionally:
  - Oak
  - Oak, stained black
  - American walnut
  - Leather covered
- Seat height: optionally 41 cm or 44 cm



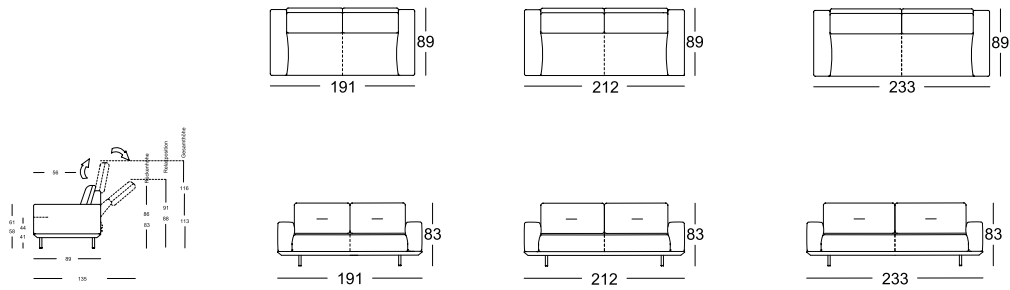
Seat heights available



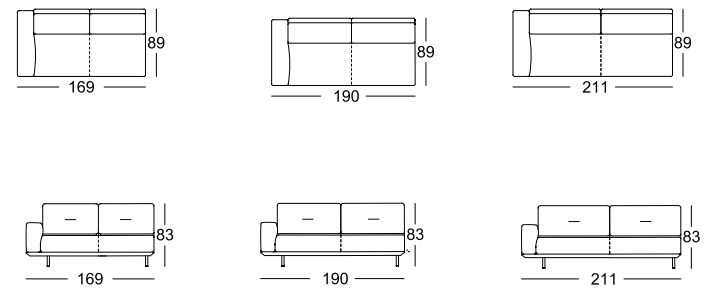
! Wave formation and depressions in the seat area are unavoidable, due to comfort and design reasons, even in high quality Rolf Benz upholstered furniture.  
All measurements are approximate.

**ROLF  
BENZ**

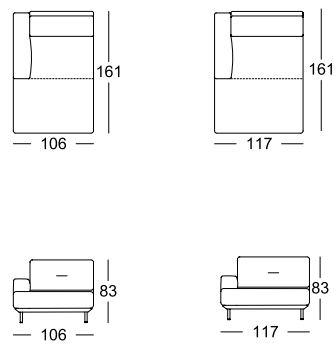
Sofa with adjustable back



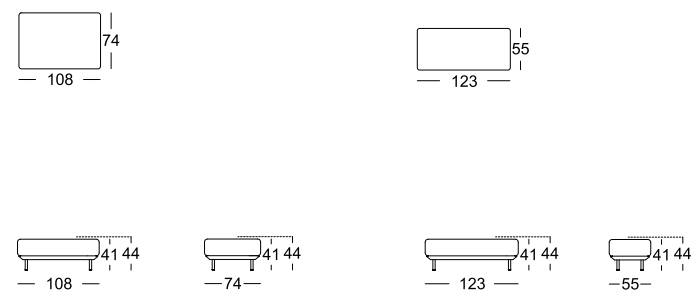
Sectional sofa with adjustable back\*



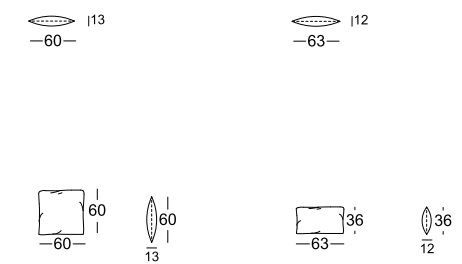
Closing chair with fixed footstool and adjustable back\*



Upholstered bench element



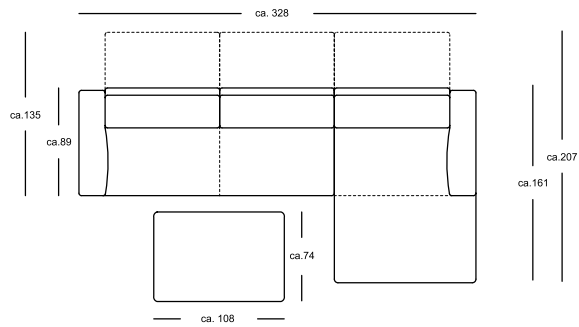
Cushion



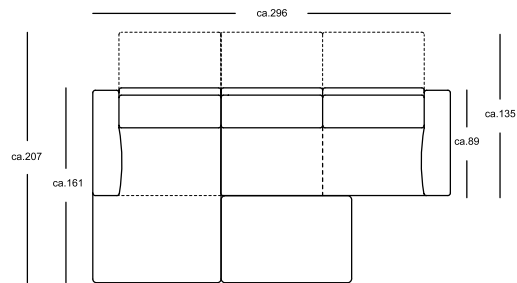
\*These elements are only shown in the left version. They are also available in the right version.



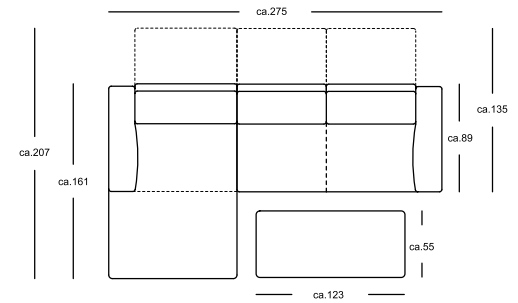
Combination examples:



ASO-RV 385/211 le.  
ASO-RV 385/211 ri.  
PB 385/108x74



ASO-PSZ 385/106 le.  
ASO-RV 385/190 ri.  
PB 385/108x74



ASO-PSZ 385/106 le.  
ASO-RV 385/169 ri.  
PB 385/123x55