

TECHNICAL DATA

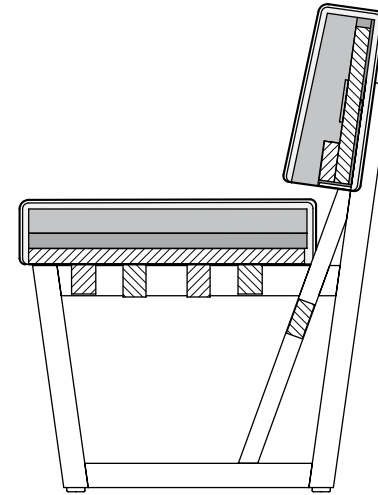
ROLF BENZ 624



**ROLF
BENZ**

- Seat and back support made of wood materials
- Backrest made of high-quality cold foam, covered with nonwoven polyester
- Seat of high-quality cold foam, built up in coordinated layers varying in height and firmness, with a nonwoven polyester cover
- Frame solid wood, colorless painted, options:
 - Oak
 - Oak black pigmented
 - American walnut (against surcharge)
 - European walnut, old grey pigmented (against surcharge)

! Due to the way the furniture is designed, and its comfort level, some wrinkles and sitting pressure indentations are inevitable, even in top quality Rolf Benz upholstered furniture. All dimensions are approximate.



Bench

