

TECHNICAL DATA

ROLF BENZ 650



**ROLF
BENZ**

Seat and back made out of moulded wood

- Four leg circular tubular base metal, options:
 - Smooth steel, powder-coated, matt
 - RAL 7022 Umbra grey
 - RAL 9017 Traffic black
 - Steel high-gloss chrome
- Four leg solid wood, colorless painted, options:
 - Oak
 - Oak black pigmented
 - American walnut (against surcharge)

Chair with upholstery on seat and back / barstool with upholstery on seat

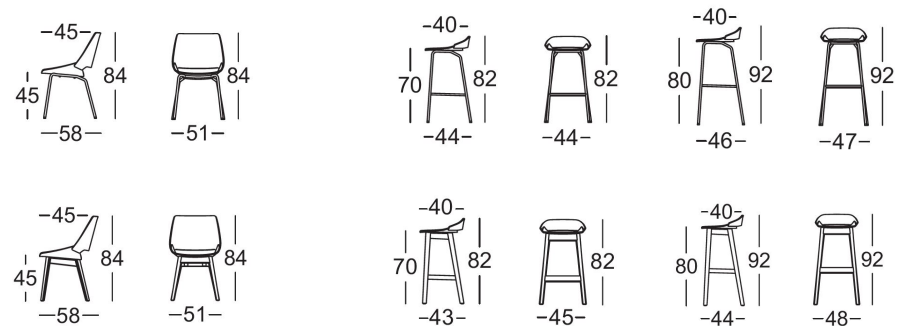
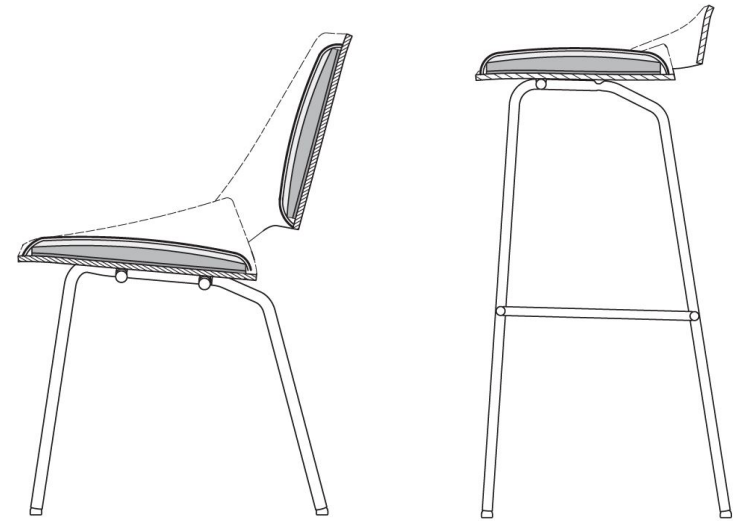
- Four leg circular tubular base metal, options:
 - Smooth steel, powder-coated, matt
 - RAL 7022 Umbra grey
 - RAL 9017 Traffic black
 - Steel high-gloss chrome
- Four leg solid wood, colorless painted, options:
 - Oak
 - Oak black pigmented
 - American walnut (against surcharge)
- Seat and back made of polyurethane foam, built up in coordinated layers varying in height and firmness and with a bonded non-woven polyester cover
- Seat cushions quilted underneath with non-woven polyester and a polyurethane padding:

Seat cushions fabric cover, available in 4 colours:

- 01 grey beige
- 02 beige grey
- 03 black grey
- 04 cement grey

Seat cushions premium imitation of polyurethane, available in 3 colours:

- 05 grey-beige
- 06 anthracite-grey
- 07 stone grey



! High-quality, casual upholstery that forms waves/leaves indentations that are typical of the material. All measurements are approximate.

**ROLF
BENZ**