

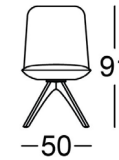
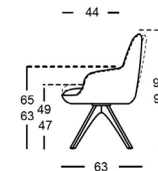
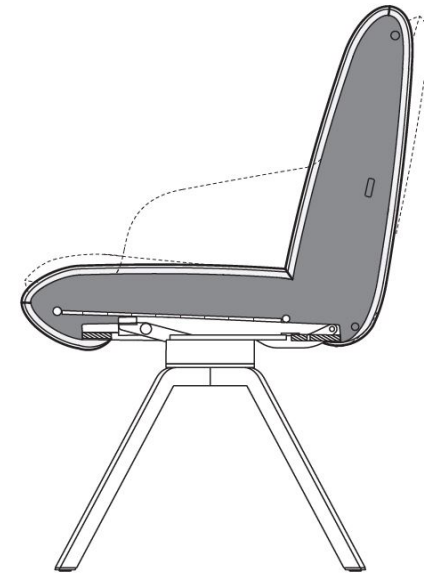
TECHNICAL DATA

ROLF BENZ SMO



**ROLF
BENZ**

- Cover quilted underneath with non-woven polyester
- Seat and back with foammoulded metal inner frame
- Padded strap spring system
- The seat's comfort mechanism enables you to change from an upright seating position to a slightly inclined, relaxed position by transferring your body weight
- Four-leg solid wood, colorless painted, options:
 - Oak
 - Oak black pigmented
 - American walnut
- Four-leg solid wood, colorless painted, rotatable, options:
 - Oak
 - Oak black pigmented
 - American walnut
- Four-leg metal, smooth steel powder-coated matt, options:
 - RAL 7022 Umbra grey
 - RAL 9017 Traffic black
- Four-leg metal, smooth steel powder-coated matt, rotatable, options:
 - RAL 7022 Umbra grey
 - RAL 9017 Traffic black



! Due to the way the furniture is designed, and its comfort level, some wrinkles and sitting pressure indentations are inevitable, even in top quality Rolf Benz upholstered furniture. All dimensions are approximate.

**ROLF
BENZ**